



**TOTAL  
COMFORT  
SOLUTION INC.**  
ENERGY EFFICIENT MECHANICAL SYSTEMS



# Installation, Operating & Maintenance Instructions

Vertical Stack Models: V2



# Table of Contents

Table of Contents .....	2
Product Safety .....	2
Important Information About Safety Instructions.....	2
Receiving.....	3
Unpacking and Preparation.....	3
Preliminary Installation.....	3
Installation Positioning.....	4
Controls and Electrical Connections.....	5
Enclosing the Unit.....	6
After Installation & Before Start-Up .....	7
Start Up .....	7
Fan Coil Piping Instructions.....	9
Maintenance/Repair Introduction.....	10
Preventative Maintenance.....	10
Special Application.....	12
Replacement Parts Instructions.....	12
Taco Installation Instructions .....	13
Return-Air Grille Installation (Camlock Version) .....	18
Maintenance/Repair Log .....	19
Filter Replacement Log .....	20
Checklist.....	21

## Product Safety

### *Important Information About Safety Instructions*

The Important Safety Instructions and warnings in these instructions are not meant to cover all possible problems and conditions that can occur. Use common sense and caution when installing, maintaining or operating the equipment.

Always contact the Total Comfort Solution Applied Support Team about any problems or conditions that you do not understand.

### Safety Symbols and Labels used in these instructions



#### **WARNING**

Hazards or unsafe practices that **COULD** result in severe personal injury or death.



#### **CAUTION**

Hazards or unsafe practices that **COULD** result in minor personal injury or property damage.

## Receiving

Upon delivery, examine each unit carefully for shipping damage. Immediately report any freight damage to the freight carrier and file a freight claim with the carrier. All units are shipped FOB factory; therefore Total Comfort Solution is not responsible for damage during transit.

It is the responsibility of the installing contractor to inspect and verify that the unit received is the correct model number, voltage, etc. Any discrepancies should be resolved before uncrating and/or installation. **Total Comfort Solution is not responsible for any back charges due to an incorrect unit being installed.**

Returns require written authorization from Total Comfort Solution. Unauthorized returns will be refused. All material returned will be inspected. Any damage, missing parts, rework or repackaging resulting from prior installation, abuses or neglect will constitute just cause for Total Comfort Solution to issue partial credit.

## Unpacking and Preparation

Vertical-Stack, High-Rise fan coils, models V2 and V1, are typically shipped two, four or six units to a crate. To minimize field handling of the equipment, all units in the same crate are typically installed on the same floor. If the number of rooms is not evenly divisible, then the crates may have a mixed number of floors.

Each unit is marked according to the customer's purchase order. This allows the unit, upon removal from the crate, to be taken directly to its assigned space for immediate installation.

### CAUTION

**At no time during handling should the unit be transported, lifted or supported by the risers. Damage to the riser pipe(s), their insulation and/or connections resulting from improper handling is not covered under the manufacturer's limited warranty.**

### CAUTION

**It is the sole responsibility of the customer to provide the necessary protection to prevent vandalism and weather protection of the equipment. Under no circumstance should the fan coil be left exposed to the elements.**

## Preliminary Installation

Prior to installation check to make sure unit is as ordered and that the fan rotates freely. Installation of V2 series should begin on the lowest floor and progress upward, floor-by-floor to the top. Tip the unit above the riser hole in the building floor. As the unit is righted, align the risers with the unit below. Field-furnished isolator pads or shims, if required, should be positioned beneath the unit at this time.

### WARNING

**These units weigh 225-600 lbs., a minimum of two people are recommended for handling and installation.**

## Installation Positioning

Each riser has a three-inch, swaged portion on the top and sufficient extension at the bottom for an inserted length of approximately two inches. This unit-to-unit joint is not intended for full bottoming in the joint. This allows for variations in floor-to-floor dimensions and for correct riser positioning.

Some applications require that risers be supplemented with “between-the-floor” extensions. These pieces should be assembled into position at this time. “Between-the-floor” extensions may be field or factory supplied. If factory supplied, insulation is also provided.

Once the units are positioned, with the risers centered in the pipe chase, each unit should be positioned perfectly vertical (plumb) in two planes and anchored to the building structure.

It is imperative that the unit be properly leveled to assure condensate drainage and proper coil operation. Once all units are anchored, unit-to-unit riser joints may be made as follows: Each branch run-out in the coil section must be centered in the expansion slot, on the side or back panel, prior to joining risers.



**Make sure the branch run out piping is pitched slightly downward inside the unit so condensate, if formed, will run back into the condensate drain pan and not out toward the riser.**

*Any damage caused by not following this procedure is not covered under warranty.*

Each riser joint must be vertically aligned, with a minimum one-inch penetration (although two inches is preferable and allowed for), into each swaged joint. This condition will be met if floor-to-floor dimensions are as specified and each branch run out is properly centered. **Riser joints must be made with phos-copper, silfos, or other high temperature alloys.** Soft solders (50-50, 60-40, and 85-15) or other low-temperature lead alloys are **NOT** suitable for this application.

Wide variations in floor-to-floor dimensions may necessitate cutting off of or extending individual risers. Such modifications are the full responsibility of the installing contractor.

Do not rigidly fasten the risers within each unit. They must be free to move within the pipe chase with normal vertical expansion and contraction.

The built-in risers must be anchored at some point to the building structure by the installing contractor. The unit design will accommodate up to a 1 1/8-inch expansion and contraction (2 1/4-inch total movement) of the riser assemblies. If the total calculated riser expansion exceeds three inches (minimum-to-maximum), the installing contractor must provide and install additional expansion compensation devices in each riser.

Once all field riser joints are completed and the riser assembly is properly anchored, make a hydrostatic test for leaks. Test pressure must not exceed 300 psig, measured at the bottom of the riser. At this time all coils should be vented, and the interior unit piping checked for visible signs of leakage due to possible shipping damage or mishandling. The coil's manual air vent is accessible through the return-air opening.

After the test, insulate all risers continuously from top to bottom.

 **CAUTION**

**All field-furnished and installed riser insulation must have a vapor barrier cover or be closed-cell, foam insulation. All joints should be properly sealed (taped or glued) so no air can pass through to the cold riser pipe. Any damage caused by not following this procedure is not covered under the warranty.**

Notes:

1. Before furring the unit in, hydrostatically test the riser connection joints.
2. Pressure of water column alone is approximately 0.43 psig per foot: i.e., 43 psig for each 100 feet.  
**DO NOT EXCEED** 300 psig, or that which the supplied components were designed.
3. ER and DR units are provided with piping support brackets which are used to secure and protect the piping package from vibration and damage during transit and handling. Once the units are installed these support brackets are to be removed. Once the brackets are removed there will be a separation (air gap, minimum 1/16") between the copper pipes and coil casing.

Field-furnish and install approved fire-stop material, after the units are installed, at points where piping penetrates the one-hour fire wall, ceiling and floor. The fire-stop is necessary on Basic "B" units at the ceiling and floor; the Master "M" unit at the floor, ceiling and where the piping penetrates an adjacent wall; the Slave "S" where the piping penetrates the wall; and the Twin-Pack, where the piping exits the rear, on both units, into the factory-furnished common wall and between floors. Twin-Pack models cannot be factory fire-stopped because damage would occur during shipment and installation.

Applicable local installation codes may limit this unit to installation only in single-story residences.

The unit is suitable for zero inch clearance to combustible materials.

## Controls and Electrical Connections

 **WARNING**

**RISK OF ELECTRICAL SHOCK. CAN CAUSE INJURY OR DEATH.**

Disconnect all remote electric power supplies before servicing. Placing the thermostat in the "OFF" position should not be used for disconnect purposes.

1. All field wiring connections to this unit must be 90°C rated copper conductor and in accordance with the National Electrical Code and any applicable local codes. Branch-circuit-fusing and electrical-disconnect means (if required) must be furnished and installed by others. All unit-mounted control components and electrical heater elements (when furnished) are factory wired to the junction control box located in the center of the unit. Remote-mounted control components are shipped loose for field installation and wiring.

2. The electrical compartment, located in the upper portion of the unit, is provided to facilitate field wiring. The applicable wiring diagrams must be strictly followed. The wiring diagrams are provided with the approved job submittals and are also located on the blower housing and behind the electrical compartment access door. See wiring diagram for proper voltage and, if used, for proper control packages.
3. Field power supply wiring should be through knockouts supplied on the side of the unit.
4. Follow all safety codes and disconnect all power supplies before accessing equipment. Only qualified persons should perform service and installation.
5. The optional float switch is not adjustable. The float switch must be mounted flush with the edge of the drain pan for optimal performance. Any attempt in moving the float switch in any other position can result in unit failure.

## Enclosing the Unit

Typically the unit is enclosed in a field-furnished drywall enclosure. The enclosure should be furred-out, from the unit with studs. If the riser pipes and electrical conduit face the room interior, then an enclosure must be furred-out from the unit to provide proper clearance. If any drywall is attached directly to the sheet-metal cabinet, use sheet metal, low profile pan-head or drywall screws. The front of this unit is designed to have the drywall butt flush against the front of the sheet-metal cabinet. Either 5/8-inch or 1/2-inch drywall is acceptable. Be sure to protect the interior of the unit from drywall dust, especially the coils and coils fins. The manufacturer will not be responsible for damaged components due to drywall dust.

Do not apply sheet-metal screws or nails where they are subject to penetrating the coil, riser pipes, electrical junction boxes and raceways.



### CAUTION

**Extreme care is necessary when driving screws in the vicinity of the control box and drain pan to prevent electrical shorts and condensate pan leaks. The drywall material should not be screwed to either the drain pan edges or to the control-box enclosure.**

After cutting out supply and return air openings for grilles, be sure to clean all drywall dust from coils, drain pans and blower discharge plenum. Be sure to clear any debris from the plenum area, such as supply air cardboard cover, insulation, construction debris, etc. Failure to do so may result in unit malfunction or severe damage to the units, particularly for units with electric heaters.

After drywall is in place and rooms are prepared for final wall treatment, the supply and return-air openings and control compartment opening should be securely covered to prevent introduction of foreign material. If the wall texture and/or color are to be spray applied, it is imperative that none of the over-spray contact the coil, fan or other unit parts. Warranties are void if paint or foreign materials of any kind are present on coil, fan, piping, wiring or other internal components.

1. Rotate the fan wheel by hand to ensure that it is free and does not rub the housing. Handling during shipment may have caused the wheel to shift. Adjust if necessary.

2. Verify that the service valves are open and that the motorized control valve, if supplied, is set for automatic operation, if of such a type.
3. Vent all air from the coil and related piping.
4. Check the drain line to see that it is not clogged and that it is properly secure and positioned in a downward pitch.
5. If the unit is equipped with a combination stop and balance valve in the return line. The proper flow through the coil should be set at this time.

 **CAUTION**

The unit should not be operated at any time without a complete enclosure, supply grille, return-air grille and filter in place. Operation in any other condition will result in motor overload or burnout. Additionally, clogging of the coil surface, motor ventilation openings, fan blades or all of the above may occur.

## After Installation & Before Start-Up

Units are limited to 180°F maximum water temperature on the heating cycle.

After installation and before start-up, be sure the filter is clean and free of construction debris, etc. If the filter is not clean, it should be replaced.

 **CAUTION**

If the unit is installed during the winter months, care must be taken so that the unit is not subject to freezing temperatures while filled with water during construction. Coils damaged due to freezing are not covered under warranty.

For hot and humid areas: Do not operate during construction or renovation with windows and/or doors open, causing outside air to enter the building. When the outside air enters the building, it imposes high cooling and dehumidifying loads on the units and can result in damage.

## Start-Up

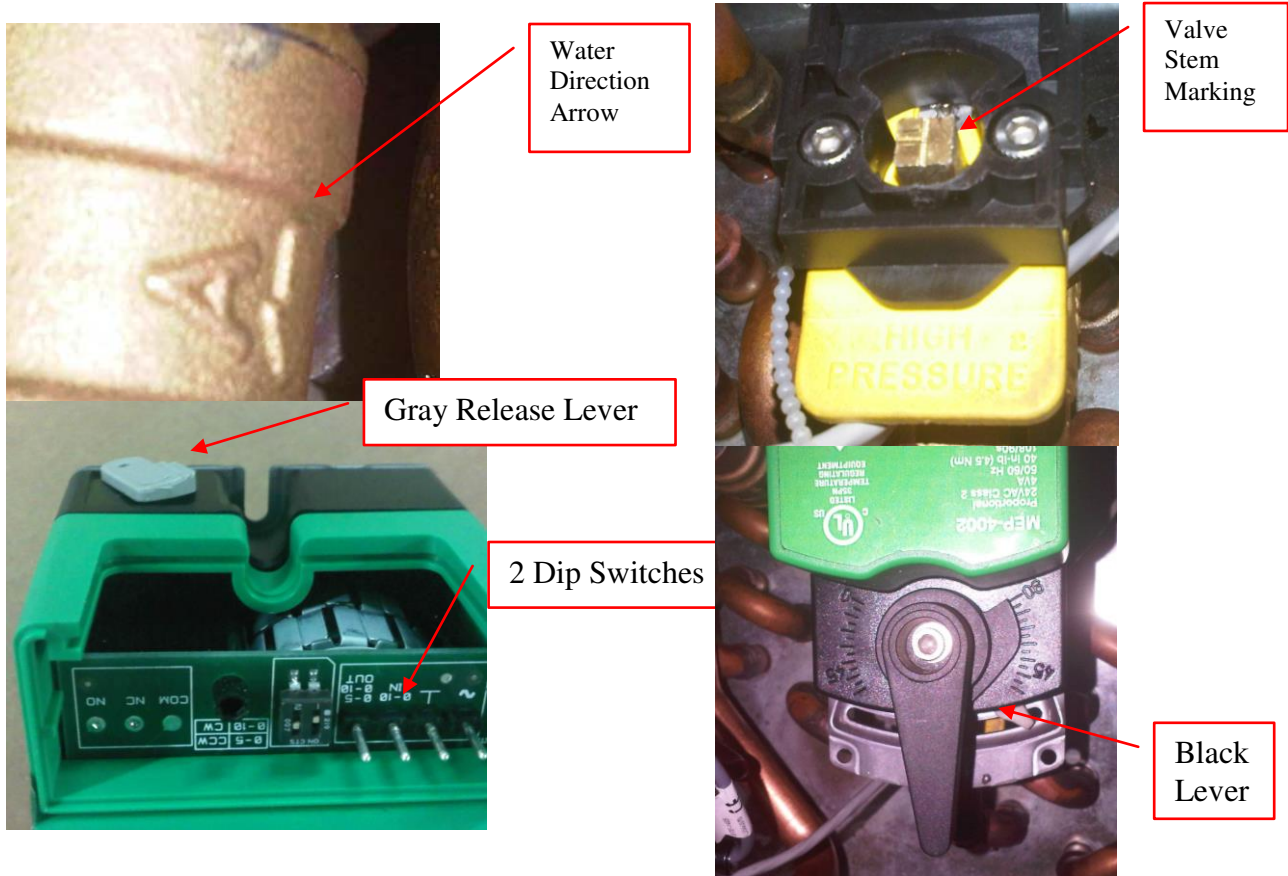
After the fan coil and piping have been installed, pressure test for 24 hours with a minimum of 2½ times the working pressure to insure that there are no leaks in the system. This test should be performed prior to hanging or installation of ceilings, floor coverings, drapes, etc. Any damage caused due to leaks is not covered under the warranty.

**Wiring:** The motor must be properly wired prior to start-up. The Wiring diagrams are provided with each unit and/or are part of the job submittals. The warranty on all motors is void if the motor is burned-out due to incorrect wiring. Wire used for connections to the fan coil must be rated for at least 90° degrees centigrade. All wiring connections must be tight. Check the rating of the unit to determine: volts, hertz, horsepower, phase, amps per motor, appropriate switching, maximum circuit fuse amps, and minimum circuit fuse amps. All wiring must be done in accordance with applicable local electrical codes and/or standards.

**Variable Fan Coils (ComforTRAC and TRACvalve):** Since the variable fan coil is Leaving Air Temperature (LAT) controlled and has variable valves, the start-up procedure/verification is vastly simplified compared to standard fan coils.

All that is required is that you determine that the leaving air temperature falls within the specified range. Allow the unit to run for about 10 minutes and then measure the leaving air temperature to determine the temperature of the air at the unit, not necessarily where it enters the room. The set point is 58°F for cold and 96°F for hot. As long as the temperature is close to these temperatures, unit is functioning per design.

If for any reason you need to remove these actuators, follow these steps outlined here in making sure you have the valve actuator placed in the correct position.



**! WARNING**

Failure to follow these instructions exactly when replacing the actuator valve may create a misalignment of the valve, resulting in leaking and subsequent property damage.

1. Be sure the long line on the Valve Stem Marking runs parallel to the water flow. The small intersecting line will be aimed toward the Water Direction Arrow.
2. The large black lever should be parallel to the long line on the Valve Stem Marking as shown. If not, pivot the gray Release Lever and while pivoted, turn the large black lever accordingly.
3. Set both dip switches in the position toward the black lever
4. Place the green actuator assembly onto the valve and re-insert the pins.



# Fan Coil Piping Instructions

## ***CHILLED- AND HOT-WATER COILS***

**Purpose** This data is intended to explain piping arrangements for chilled- and hot-water coils to the correct inlet and outlet locations.

**Two-Pipe Coils** Two-pipe coils have one inlet and outlet. Horizontal fan coils may have one- to six-rows. The coil may be 100% chilled water, 100% hot water, or with the addition of a pipe sensor changeover control, it may use chilled water when the chiller is operating or hot water when the boiler is operating. A two-pipe system allows for the chiller or boiler to operate independently, one at a time. The pipe sensor must be clamped onto the supply water line as close to the incoming water source as possible. The purpose of the pipe sensor is to sense the water temperature in the inlet pipe and detect the water temperature at its set point of approximately 88°F. The pipe sensor will change the thermostat control from the cooling mode to the heating mode and vice versa.

The inlet is always at the bottom of the coil and the outlet is always at the top of the coil. All coils are piped so that the inlet is always on the row farthest downstream from the incoming air (See diagram 1).

All coils have one or more circuits. Circuits are added to reduce the water pressure drop to an acceptable level (usually 10-ft. H<sub>2</sub>O pressure drop or less). Due to the various circuit options available, the inlet, and outlet may change position making the inlet and outlet locations vary.

### **Four-Pipe Coils**

Four-pipe coils have a dedicated, chilled-water coil, and a dedicated hot-water coil, each with its own inlet and outlet, equaling four pipes. All coils have a common tube sheet for four-pipe coils. Example: A four-row, chilled-water coil and a one-row, hot-water coil would use a five-row coil with four rows for chilled-water and one row for hot-water. Normally the one-row, hot-water coil is in the reheat position or downstream from the cooling coil. The hot-water coil may also be ordered in the preheat position or upstream from the chilled-water coil. The controls are wired so that either the chilled-water coil is operating or the hot-water coil is operating, but not both at the same time. When the conditioned space thermostat is satisfied, both the chilled- and hot-water control valves are deactivated. The same rule applies for inlet and outlet locations as explained above in “Two-Pipe Coils” (See diagram 2). Each chilled- and hot-water coil is controlled individually so a pipe sensor is not required.

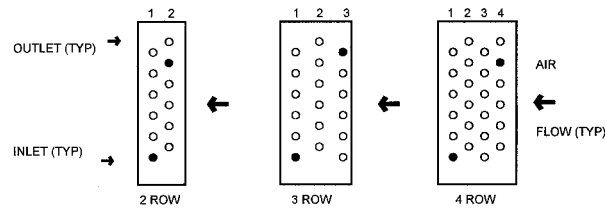
### **Hose Kits**

When hose kits are being used on units it is important to make sure the hoses are not installed over any electrical components, such as j-boxes, actuators, etc. Hoses are not sweat proof so they can condensate. It is recommended that the flex hoses be field insulated during installation. Failure to follow these directions may cause unit operation failure. The factory has provided a hose clamp to position the hose in a manner that prevents water damage to electrical components.

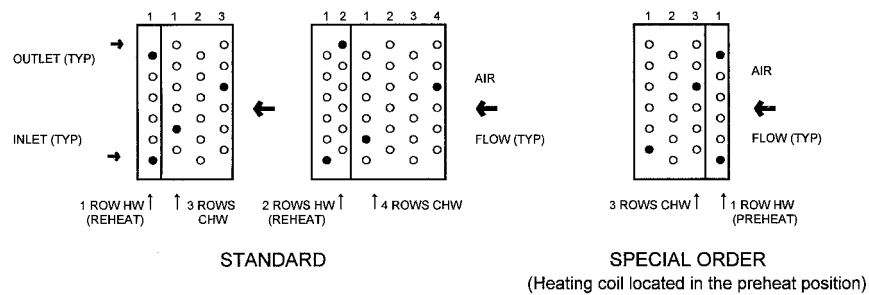
### **Coil Identification**

The following diagrams indicate the number of rows and type of chilled- and hot-water coils. Standard coil has the hot-water coil located in the reheat position.

**Two-Pipe Coil Diagrams — (Two) Pipe Coils (Right-Hand Shown Left-Hand Opposite)**



**Four-Pipe Coil Diagrams — (Four) Pipe Coils (Right-Hand Shown Left-Hand Opposite)**



Because of the variations of circuiting available, the location of the inlet and outlet connections may vary up and down. However, always use the following rule to be correct. ***The inlet is always the lower connection and the farthest away from the entering-air-side. The outlet connection is always the higher connection closest to the entering-air-side.***

## Maintenance/Repair Introduction

By nature, heating, ventilation and air conditioning equipment deteriorates with normal use. To help alleviate this, preventive maintenance is required. When properly maintained, the systems will experience improved efficiency and increased equipment life.

Failure to perform preventive maintenance of Total Comfort Solution equipment, by a licensed HVAC technician per the recommended schedule, will result in loss of factory warranty. Logs are provided in this manual and are to be filled out documenting all repairs and maintenance performed.

### Preventive Maintenance

- **General (Annually)**
  - Visual Inspection for corrosion and proper mounting, alignment and sealing
    - Installation of unit
    - Air Connections
    - Water connections
    - Condensate drainage pitch
  - Functional Inspection of operation
    - Heating mode
    - Cooling mode
    - Amperage draw
    - Supply voltage

- **Coils (Annually)**
  - Clean the coils by removing the blower panel and brushing the fins with a stiff, plastic bristle brush, taking care not to bend or damage the fin surface. After brushing, the coil should be vacuumed to remove loose dirt.
  - Check insulation for proper coverage to maintain efficiency and prevent sweating.
  - Piping – inspect all connections for leaks and corrosion.
  - Valves – Check for proper operation, corrosion and leaking.
  
- **Motor (Annually)**
  - **If there are no oil tubes present, the motor is permanently lubricated.**
  - If oil tubes are provided on the motor, lubricate every six months with SAE-10 weight, non-detergent oil. Inspect the motor and blower assembly every time the motors are oiled for excessive accumulation of dust and dirt. If necessary, remove the blower and vacuum. If this situation does occur, increase routine filter maintenance. **“DO NOT OVER OIL”**
  - Check amperage draw against the nameplate information
  - Check bearings for wear and noise.
  - Wheel – Check for free spinning movement
  - Check for tightness of set screws.
  - Check blades for damages.
  
- **Drain Pan (Annually)**
  - The drain pan must be inspected before summer operation. All debris in the drain pan should be removed so the condensate will flow out easily. Periodic inspection of the drain pan and condensate piping should be performed during the summer operation to prevent any possibility of it becoming clogged. Total Comfort Solution will assume no liability for damage caused as a result of the condensate line becoming plugged.
  - Corrosion – Check for signs of rust; heavy flake indicate that replacement is needed.
  - P-trap and Piping – be sure these areas are free of debris that could block drainage.
  - Drainage – test functionality by pouring water into the pan and observing proper operation.
  - Float Switch – The optional drain pan float switch position is not adjustable. The float switch must be mounted flush with the edge of the drain pan for optimum performance. Any attempt in moving the float switch in any other position can result in unit failure.

 **WARNING**

**RISK OF ELECTRICAL SHOCK. CAN CAUSE INJURY OR DEATH.**

Disconnect all remote electric power supplies before servicing. Placing the thermostat in the “OFF” position should not be used for disconnect purposes.

- **Electrical (Annually)**
  - Inspect for signs of arcing or overheated wires.
  - Check ground connection for signs of corrosion.
  - Check all connections for a tight fit.

- **Filters (6 Months)**

- Disposable - Change throwaway filters a minimum of twice a year and recorded on the Filter Replacement Log. Once before the heating season and once before the cooling season. Periodic checks should be made during the cooling season to insure that excessive dust or lint is not accumulating to the extent of interrupting free air flow. If excessive dirt accumulates, the filter should be changed more frequently.
- Reusable/Cleanable - Filters should be thoroughly cleaned a minimum of twice a year and have the same periodic checks as throwaway filters.
- Under certain operating conditions, it may be necessary to change or clean them more frequently to obtain maximum performance.

- **Hoses, if equipped (Annually)**

- Check all fittings for leaks.
- Check for frayed braiding

- **Replacement Parts**

- It is strongly recommended that genuine Total Comfort Solution parts be used when replacement is required. When ordering replacement parts, refer to the model and serial number located on the blower and motor housing.

## Special Application

Operation of the unit with a field-fabricated, outside air provision, or in areas of high humidity, may make it necessary to add insulation and/or a suitable vapor barrier between the drywall material and the air handling compartment. Recommendations will be made by the factory upon request.



### CAUTION

**This unit is not intended for direct attachment to wood, chipboard, or similar paneling. All wall finishes must be preceded by drywall.**

## Replacement Parts

When ordering replacement parts, refer to the model and serial number located on the blower and motor housing.

# TACO LOADMATCH INSTRUCTIONS

## LoadMatch®Systems

consist of a one pipe primary loop (or loops) and decoupled terminal unit circuits.

### Figure 1

ASHRAE describes this as a series circuit with compound pumping\*.

**Decoupled** is defined as “separated, disconnected, or divergent”. In hydronic systems, decoupling is the act of separating the **effects** of the flows in two piping loops that share a common pipe, often called a decoupler. For example, the secondary circuit in a primary/secondary system is **decoupled** from the primary loop such that the flow in the primary does not cause any flow in the secondary loop unless the secondary circulator is operated. The advantage of decoupling in a LoadMatch system is the ability to independently control flows in the terminal units without the need for control valves or balancing valves.

### Figure 2

Decoupling is illustrated below. Primary flow entering the tee at point A can follow one or two paths to get to point B. Since water always follows the path of least resistance, all the water will follow the path through the decoupler as long as its pressure drop is zero.

Due to the hydraulic separation caused by decoupling, purging and venting the air from LoadMatch systems differs from typical two and four pipe systems using control valves. Following are descriptions of the best ways to install and purge LoadMatch piping networks.

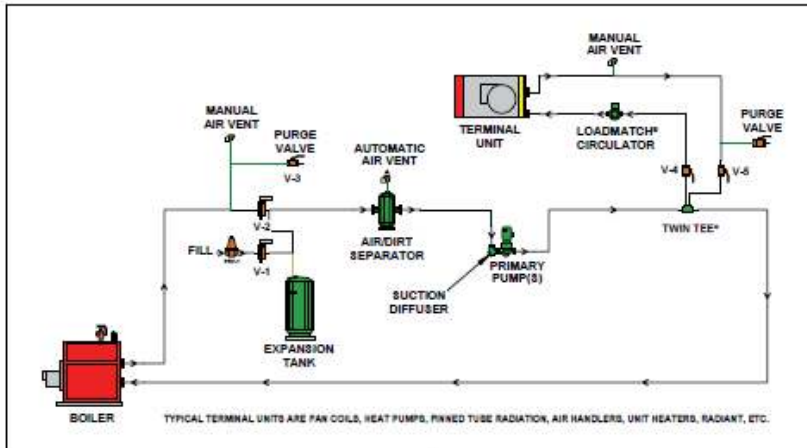


Figure 1

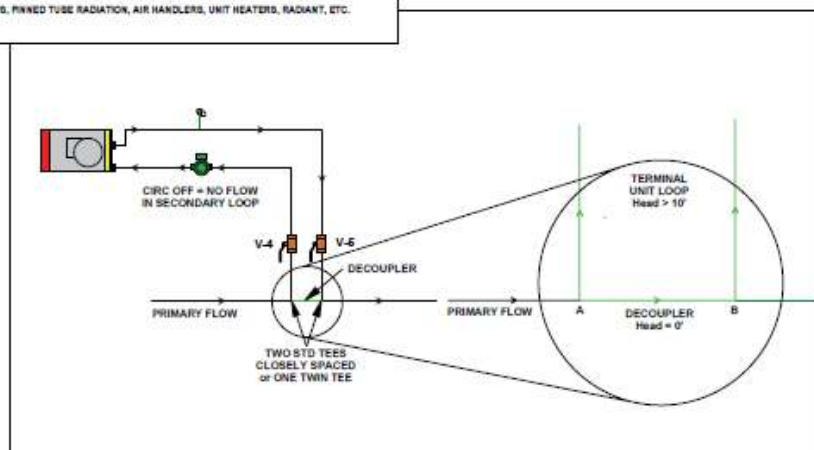


Figure 2

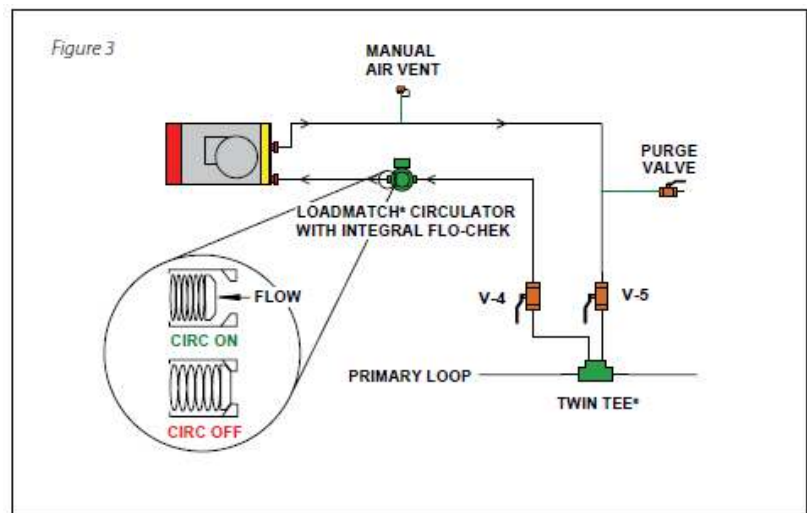
## LoadMatch®Circulator and Orientation

### Figure 3

The best location for a LoadMatch circulator in the LoadMatch loop is between the primary loop and the inlet side of the terminal unit.

### Figure 4

LoadMatch circulators are supplied with spring loaded flow checks, located in the discharge, that only allow flow in one direction.



Taco LoadMatch circulators require system fluid, typically water or antifreeze solution, for cooling and lubricating. They must be purged and primed with clean fluid and not allowed to run dry.



As a result, circulators located after the purge valve, usually on the outlet or return side of the terminal unit, have the potential to trap air in the circulator because the flo-chek prevents water from flowing backwards through the circulator to the vent to remove the air in the return line. Circulators must be installed upstream of the purge valve / manual air vent to avoid trapping air at the impellers.

All LoadMatch circulators should be installed so the motor shaft is parallel to the ground and the junction box is not below the motor. Avoid installing a LoadMatch circulator with the motor shaft vertical and the motor above the pipe/ volute as air binding in the cartridge may prevent the cartridge from

being adequately cooled and lubricated.

Purge valves and air vents are ideally located on the outlet side of the terminal unit.

Service valves (V-4 and V-5) should be close to the primary loop and close enough together to handle simultaneously, thus avoiding opening / closing the wrong valve(s) during purge process.

## Twin Tee® Location and Orientation

Twin Tees should be piped in the primary loop to minimize the length and complexity of the LoadMatch loops. This will simplify the venting and purging of the LoadMatch loops during startup.

To reduce the possibility of air and dirt entering the LoadMatch loops from the primary loop, the Twin Tees should be oriented with the branch connections on the side as shown below.

### Figure 5

Twin Tees can be installed with flow going through them in either direction. Branch connections are also independent of flow direction. Either outlet can be used for supply or return.

There is no minimum distance required between multiple Twin Tees installed in the same loop. Due to the relatively high flow rate in the primary loop compared to the Load-Match loop, there is little chance the flows in one Twin Tee will affect another.

It is acceptable to connect more than one terminal unit to a Twin Tee provided the piping can be kept relatively short and excessive fittings avoided. When in doubt, dedicate a separate Twin Tee to each terminal unit.

### Figure 6

In lieu of a Twin Tee, two standard tee fittings can be used to connect any LoadMatch loop to the primary loop. In this case, the tees should be joined end to end with a close or space coupling so they are as close together as possible. In this arrangement, the upstream tee must be the supply to the terminal unit and the downstream tee the return.



Figure 5

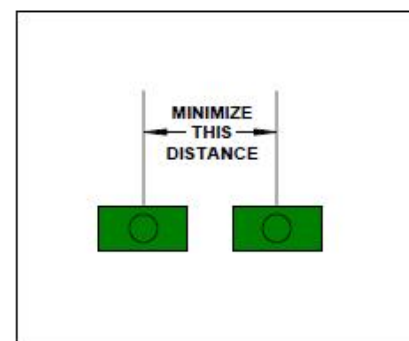


Figure 6

## Purging and Cleaning Primary Loop(s)

Purge and clean primary loop(s) first with valves on LoadMatch loops closed and all pumps and Load-Match circulators OFF.

To prevent pipe shavings and other debris from fouling the flo-cheks in the LoadMatch circs and/or coils in the terminal units (particularly heat pumps), the primary loop should be thoroughly cleaned and flushed before opening valves on LoadMatch loops. This is consistent with industry standard heat pump system purging and cleaning processes.

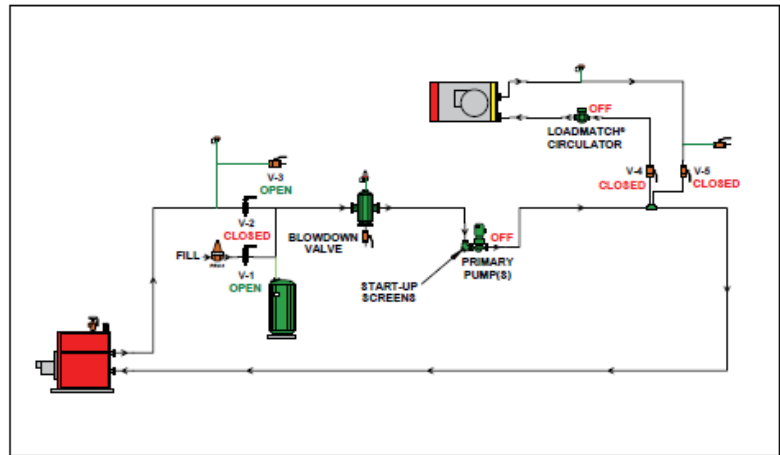


Figure 7

### Figure 7

Purging the primary loop is best accomplished using higher city water pressure instead of the pressure created by the primary pump(s). Close primary loop valve V-2, and open fill valve V-1 and purge valve V-3. City water pressure can now purge the entire loop out through V-3 without primary pump(s) running. Other air vents located throughout the piping network should also be utilized to eliminate isolated air pockets.

Once purged, the primary pump(s) can be started and the primary loop cleaned. Primary pump(s) should be operated until start up screens in suction diffusers no longer show signs of pipe shavings or debris and water blown down from air/ dirt separator is clean. In most cases, primary pump(s) may need to run for 24 hours or more and screens cleaned repeatedly.

If there are multiple boilers or chillers, make sure to alternate purging of boiler / chiller modules to be sure each is free of air and debris before leaving them open to the rest of the system.

Once the primary loop has been purged and cleaned, a similar process can be executed for the LoadMatch secondary loops.



## Purging and Cleaning LoadMatch® Loop(s)

City water pressure should also be used to purge the LoadMatch loops instead of the pressure created by the LoadMatch circulators. Primary pump(s) should be OFF, V-2 and V-3 closed and main fill valve V-1 should be open to maintain city water pressure in the clean primary loop.

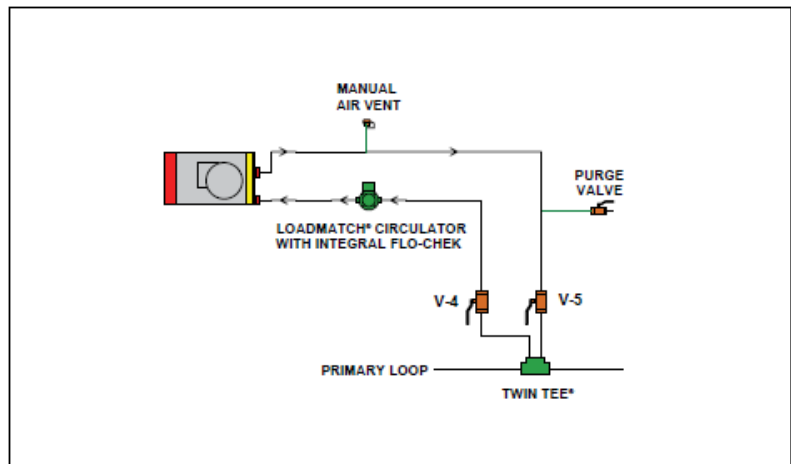


Figure 8

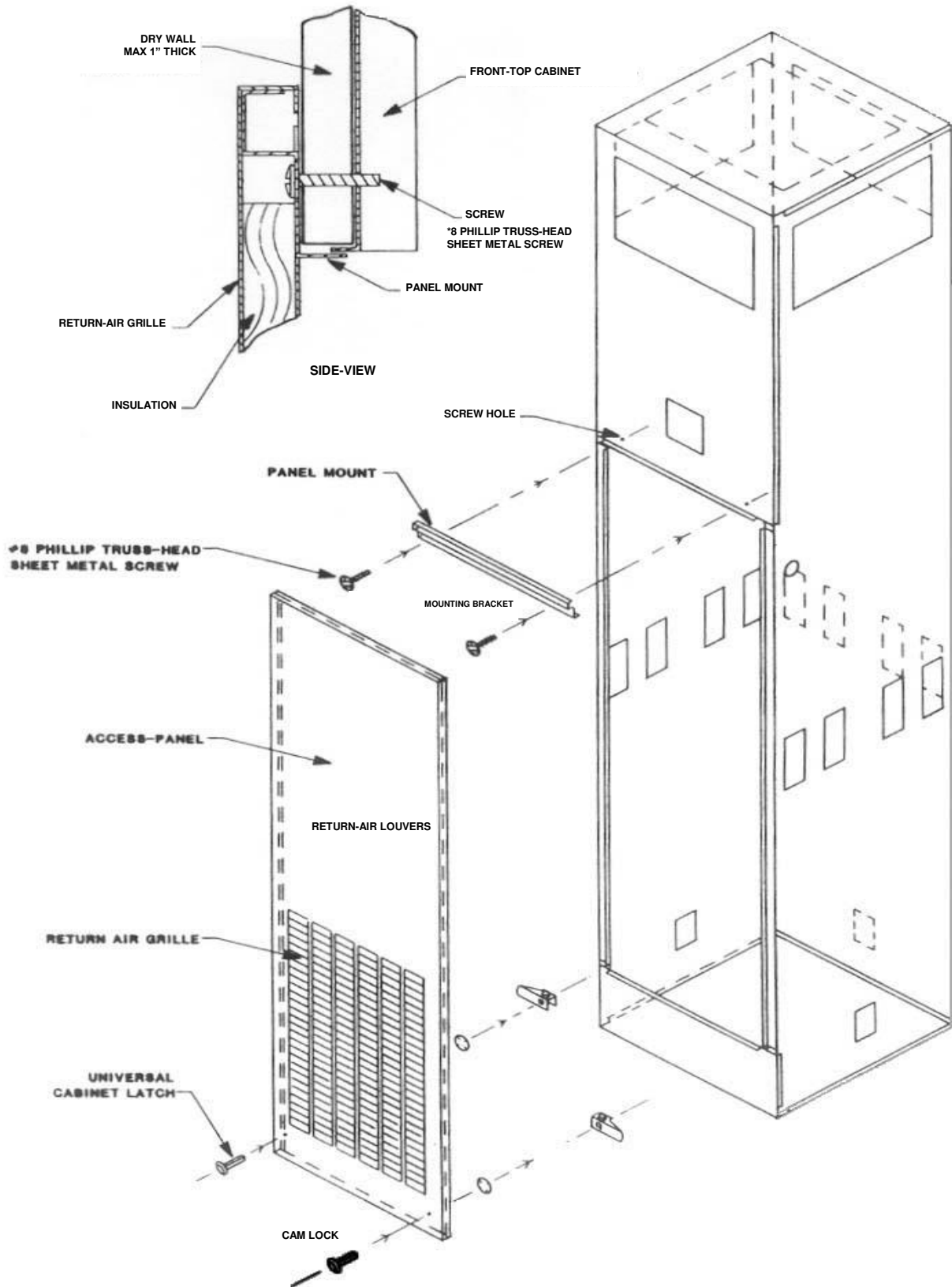
### Figure 8

To purge LoadMatch loop, open supply valve to the terminal unit V-4 and close return valve V-5. Opening the manual air vent / purge valve will allow city water pressure to purge air from the entire supply pipe, Load-Match circulator and terminal unit.

To purge the return side, close V-4 and open V-5 and open the manual air vent / purge valve until no more air is released. Both valves V-4 and V-5 can then be opened for normal operation.

If the LoadMatch loop has a significant number of fittings, multiple changes in elevation or is longer than normal (i.e. 30 ft.), additional air vents should be located at the high points to eliminate isolated air pockets.

# Return-Air Grille Installation (Camlock Version)







# Checklist

Receiving & Inspection	✓
1 Unit Received Undamaged	
2 Unit Received Complete As Ordered	
3 Parts Accounted For	
4 Unit Arrangement/Hand Correct	
5 Unit Structural Support Complete & Correct	

Ductwork Connections	✓
36 Install Ductwork, Fittings & Grilles As Required	
37 Flexible Duct Connections At Unit	
38 Proper Supply and Return Grille Type & Size Used	
39 Control Outside Air For Low/High Limit Protection	
40 Insulate All Ductwork & Dampers As Required	

Handling & Installation	✓
6 Mounting Grommets/Isolators Used	
7 Unit Mounted Level & Square	
8 Proper Access Provided For Unit & Accessories	
9 Proper Electrical Service Provided	
10 Proper Overcurrent Protection Provided	
11 Proper Service Switch/Disconnect Provided	
12 Proper Chilled Water Line Size to Unit	
13 Proper Hot Water Line Size To Unit	
14 Proper Refrigerant Line Sizes To Unit	
15 Proper Steam Line Sizes To Unit	
16 Proper Steam Condensate Trap On Return Line	
17 Proper Steam Supply Pressure To Unit (15 PSI Max)	
18 All Services To Unit In Code Compliance	
19 All Shipping Screws & Brace Removed	
20 Unit Protected From Dirt & Foreign Matter	
21 Filter Is Clean & Free Of Construction Debris	

Electrical Connections	✓
41 Refer To Unit Wiring Diagram	
42 Connect Incoming Power Service(s)	
43 Install & Connect Parts	
44 All Field Wiring With Proper Gauge & In Code Compliance	

Cooling/Heating Connections	✓
22 Protect Valve Package Components From Heat	
23 Mount/Check Valve Packages	
24 Connect Field Piping To Unit	
25 Pressure Test All Piping For Leaks	
26 Install Drain Line & Traps As Required	
27 Insulate All Piping As Required	
28 Install Drip Lip Under Piping As Required	
29 Expansion Joint For Risers Assembly If Required, Properly Anchored	
30 Drain Line Properly Sloped & Secured	
31 Condensate Drain Line Is Not Clogged	
32 Modulating valve Properly Calibrated	
33 Condensate Risers Properly Vented	
34 Coil Piping Connection Properly Pitched Downward Inside The Unit	
35 Insulate Riser Pipes As Required	

Unit Startup	✓
45 General Visual Unit & System Inspection	
46 Check For Proper Fan Belt Tension	
47 Check For Proper Fan Rotation	
48 Record Electrical Supply Voltage	
49 Record Ambient Temperatures	
50 Check All Wiring For Secure Connections	
51 Close All Unit Isolation Valves	
52 Flush Water Systems	
53 Fill Systems With Water/Refrigerant	
54 Vent Water Systems As Required	
55 All Ductwork & Grilles In Place	
56 All Unit Panels And Filters In Place	
57 Start Fans, Pumps, Chillers, Etc.	
58 Check For Overload Conditions Of All Units	
59 Check All Ductwork & Units For Air Leaks	
60 Balance Air Systems As Required	
61 Record All Final Settings For Future Use	
62 Balance Water Systems As Required	
63 Record All Final Settings For Future Use	
64 Check Piping & Ductwork For Vibration	
65 Check All Dampers For Proper Operation	
66 Verify Proper Cooling Operation	
67 Verify Proper Heating Operation	
68 Reinstall All Covers & Access Panel	