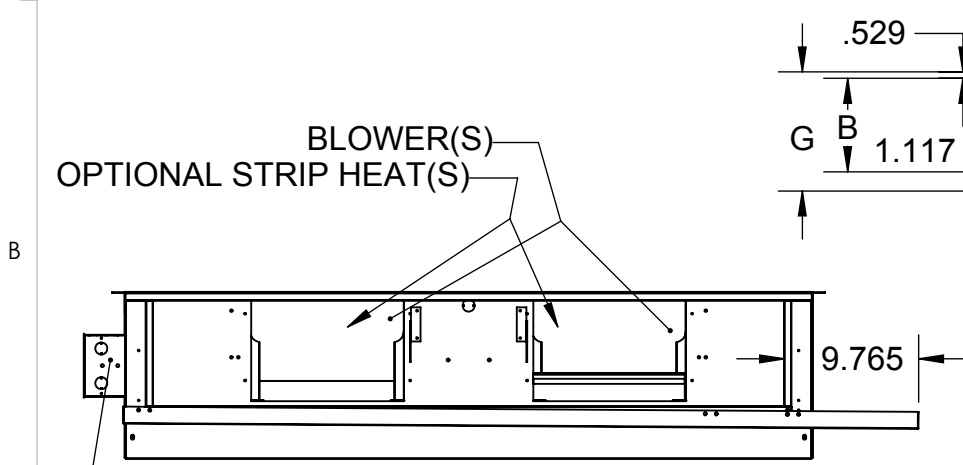
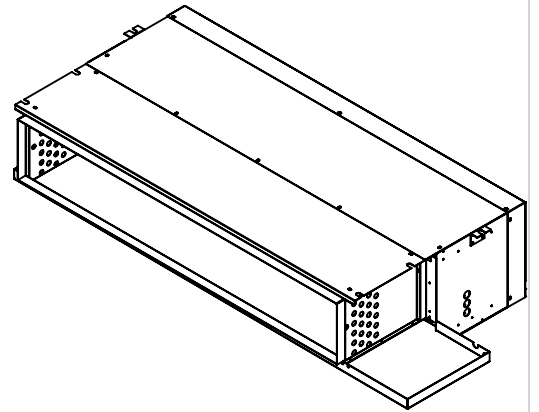
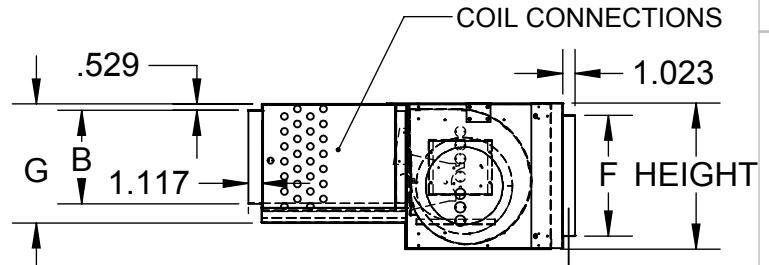


TOP VIEW



FRONT VIEW



SIDE VIEW

RIGHT HAND SHOWN

OVERALL				SUPPLY DUCT		MOUNTING		RETURN DUCT					
UNIT SIZE	LENGTH	HEIGHT	DEPTH	A	B	C	D	E	F	G	H	BLOWERS	FILTER SIZE
002-003	30	10.19	24.38	19.13	6	20.88	8.5	20.13	8.08	8	22	1	10x22x1
004	37.5	10.19	24.38	25.13	6	26.88	8.5	29.13	8.08	8	31	2	10x31x1
006	44	10.19	24.38	33.13	6	34.88	8.5	34.13	8.08	8	36	2	10x36x1
008	44	12.19	26.38	33.13	7.75	34.88	9.5	34.13	10.08	9.75	36	2	12x36x1
010	50	12.19	26.38	39.13	7.75	40.88	9.5	40.13	10.08	9.75	42	2	12x42x1
012	58	12.19	26.38	47.13	7.75	48.88	9.5	48.13	10.08	9.75	50	2	12x50x1

PROPRIETARY AND CONFIDENTIAL
 THE INFORMATION CONTAINED IN THIS DOCUMENT IS THE SOLE
 PROPERTY OF THE MANUFACTURER. ANY REPRODUCTION IN PART
 OR AS A WHOLE WITHOUT WRITTEN PERMISSION IS PROHIBITED.

TITLE:
 H1 Return Plenum, Rear
 Unit Revision Level B

DWG. NO.
 D104034

REV
 B

DRAWING NOT TO SCALE