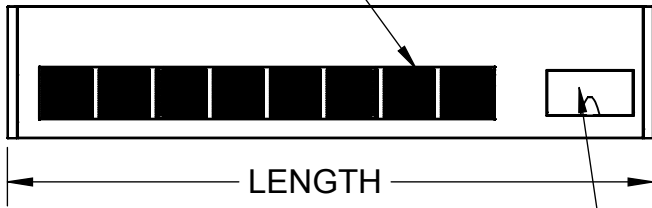


2

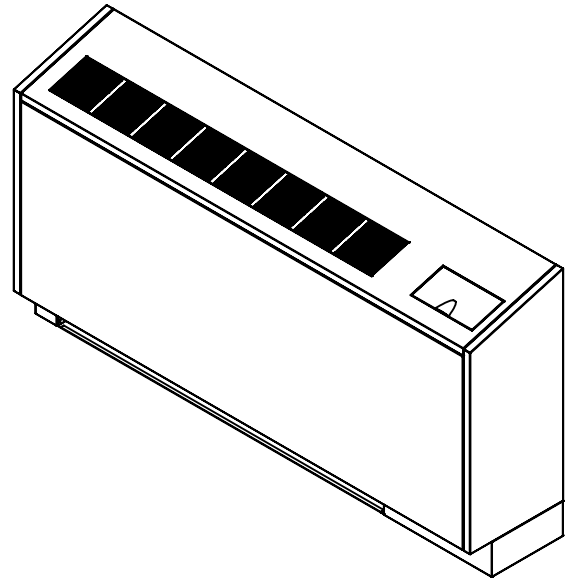
1

SUPPLY AIR GRILLE



**TOP VIEW**

CONTROL BOX



D

D

CONTROLS JUNCTION

DRAIN CONNECTIONS (REAR)

FILTER

**FRONT VIEW**

JUNCTION BOX

A

DEPTH

HEIGHT

3.70

4.50

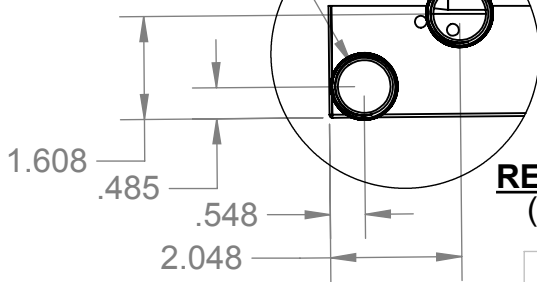
**SIDE VIEW**

C

C

SECONDARY DRAIN PIPE SIZE =  $\phi$ 0.75

PRIMARY DRAIN PIPE SIZE =  $\phi$ 0.75



**REAR VIEW (DRAIN)**

**RIGHT HAND UNIT SHOWN**

B

B

PROPRIETARY AND CONFIDENTIAL

THE INFORMATION CONTAINED IN THIS DOCUMENT IS THE SOLE PROPERTY OF THE MANUFACTURER. ANY REPRODUCTION IN PART OR AS A WHOLE WITHOUT WRITTEN PERMISSION IS PROHIBITED.

| OVERALL   |        |        |       |      |             |
|-----------|--------|--------|-------|------|-------------|
| UNIT SIZE | LENGTH | HEIGHT | DEPTH | A    | FILTER SIZE |
| 002-003   | 39.25  | 30     | 11.75 | 9.75 | 10 X 20 X 1 |
| 004       | 50.25  | 30     | 11.75 | 9.75 | 10 X 31 X 1 |
| 006       | 55.25  | 30     | 11.75 | 9.75 | 10 X 36 X 1 |
| 008       | 53.25  | 34     | 13.75 | 10   | 11 X 34 X 1 |
| 010       | 61.25  | 34     | 13.75 | 10   | 11 X 42 X 1 |
| 012       | 67.25  | 34     | 13.75 | 10   | 11 X 48 X 1 |

MATERIAL ( )

FINISH

DO NOT SCALE DRAWING

TITLE: F1-SLOPE TOP REV B  
200-1200 CFM

DWG. NO. D106071

REV A

SCALE: 1:24

SHEET 1 OF 1

2

1

A

A