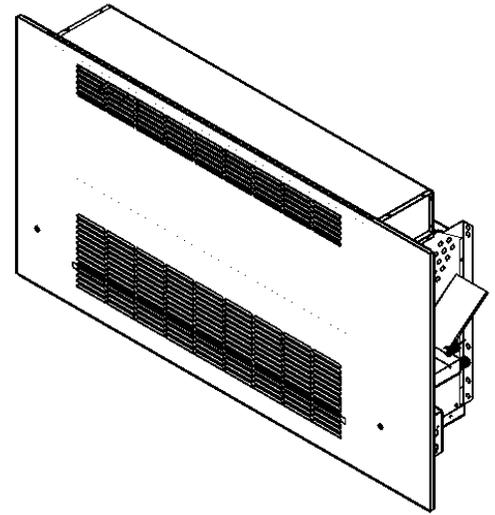
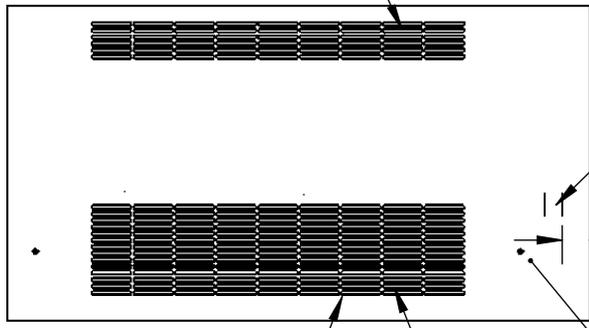


TOP VIEW

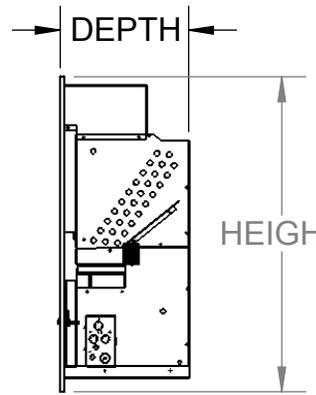


SUPPLY AIR LOUVER



FRONT VIEW

DRAIN CONNECTIONS (REAR)



SIDE VIEW

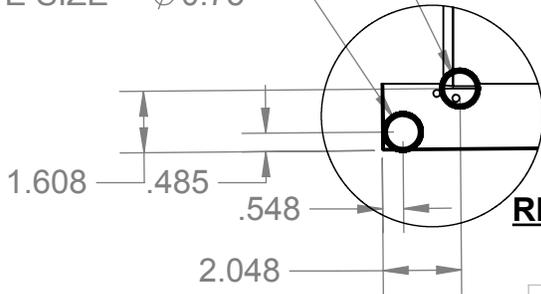
RETURN AIR GRILLE

FILTER

JUNCTION BOX

SECONDARY DRAIN
PIPE SIZE = $\phi 0.75$

PRIMARY DRAIN
PIPE SIZE = $\phi 0.75$



REAR VIEW (DRAIN)

RIGHT HAND UNIT SHOWN

<p>PROPRIETARY AND CONFIDENTIAL</p> <p>THE INFORMATION CONTAINED IN THIS DOCUMENT IS THE SOLE PROPERTY OF THE MANUFACTURER. ANY REPRODUCTION IN PART OR AS A WHOLE WITHOUT WRITTEN PERMISSION IS PROHIBITED.</p>		<p>TITLE: F1 - RECESSED REV B 200-1200 CFM</p>	
		<p>DWG. NO. D110423</p>	<p>REV A</p>
<p>MATERIAL ()</p>		<p>SCALE: 1:24</p>	
<p>FINISH</p>		<p>SHEET 1 OF 1</p>	
<p>DO NOT SCALE DRAWING</p>			

OVERALL					
UNIT SIZE	LENGTH	HEIGHT	DEPTH	A	FILTER SIZE
002-003	30	30	11.625	0.875	10 X 20 X 1
004	42	30	11.625	1.425	10 X 32 X 1
006	47	30	11.625	1.375	10 X 36 X 1
008	47	33	13.345	2.75	11 X 34 X 1
010	55	33	13.345	2.938	11 X 42 X 1
012	61	33	13.345	2.75	11 X 48 X 1