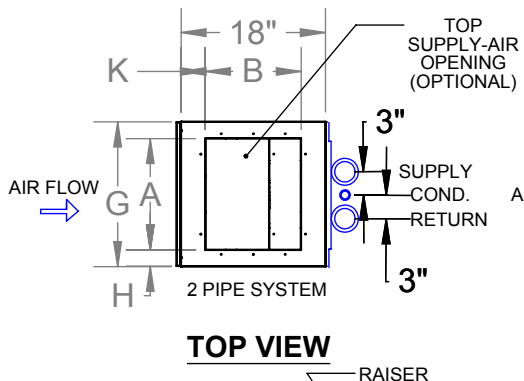
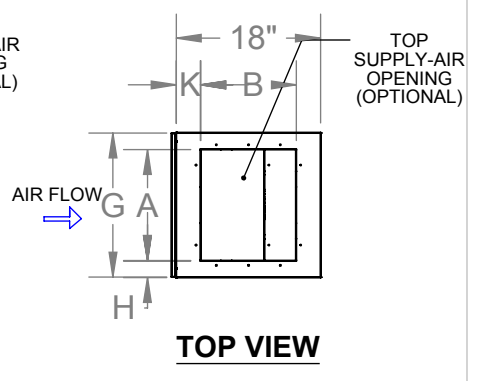


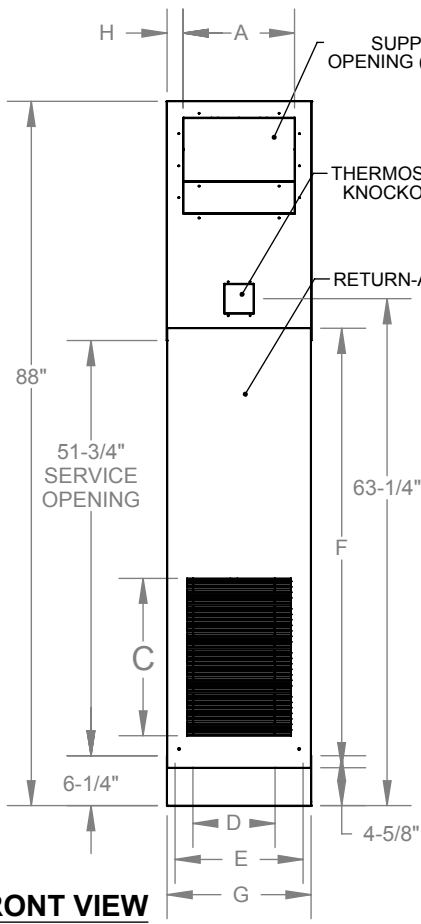
**4 PIPE SYSTEM
TOP VIEW**



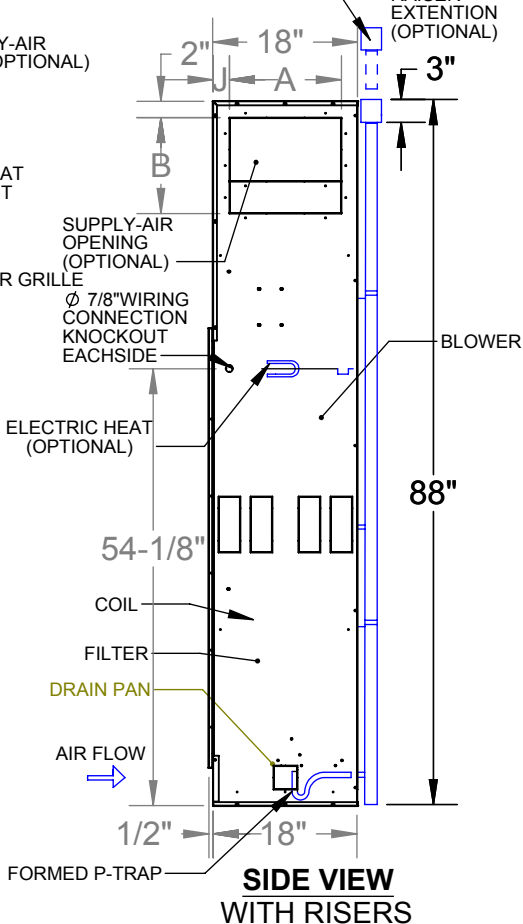
TOP VIEW



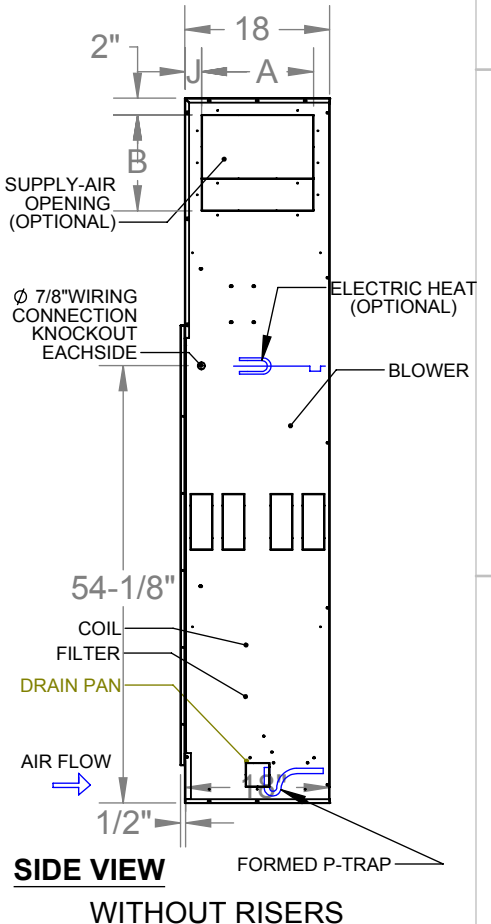
TOP VIEW



FRONT VIEW



**SIDE VIEW
WITH RISERS**



**SIDE VIEW
WITHOUT RISERS**

MODEL	DISCHARGE OPENING		RETURN-AIR GRILLE		ACCESS PANNEL		G	H	J	K	FILTER
	A	B	C	D	E	F					SIZE
V2-B											
300	14	12	19-1/2	13	17	55	18	2	2	2	14X25X1
400	14	12	19-1/2	13	17	55	18	2	2	2	14X25X1
600	14	12	19-1/2	13	17	55	18	2	2	2	14X25X1
800	16	14	20-1/2	15	23	55	24	4	1	4	20X25X1
1000	16	14	20-1/2	15	23	55	24	4	1	4	20X25X1
1200	16	14	20-1/2	15	23	55	24	4	1	4	20X25X1

RIGHT HAND UNIT SHOWN

PROPRIETARY AND CONFIDENTIAL
 THE INFORMATION CONTAINED IN THIS DOCUMENT IS THE SOLE PROPERTY OF WILLIAMS FURNACE COMPANY. ANY REPRODUCTION IN PART OR AS A WHOLE WITHOUT THE WRITTEN PERMISSION OF WILLIAMS FURNACE COMPANY IS PROHIBITED.

MATERIAL	-	(-)
FINISH	-	
DO NOT SCALE DRAWING		

TITLE: VERTICAL STACK - HIGH RISE - V2 300-1200 CFM	
DWG. NO. D107591	REV A
SCALE: 1:24	SHEET 1 OF 1