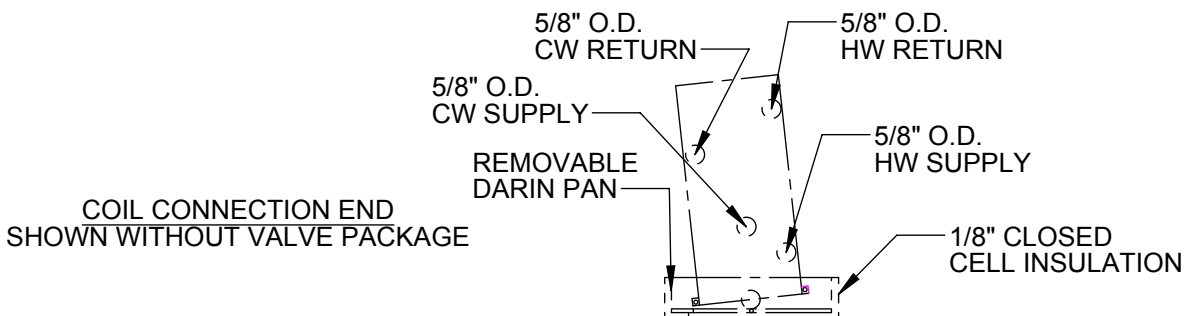
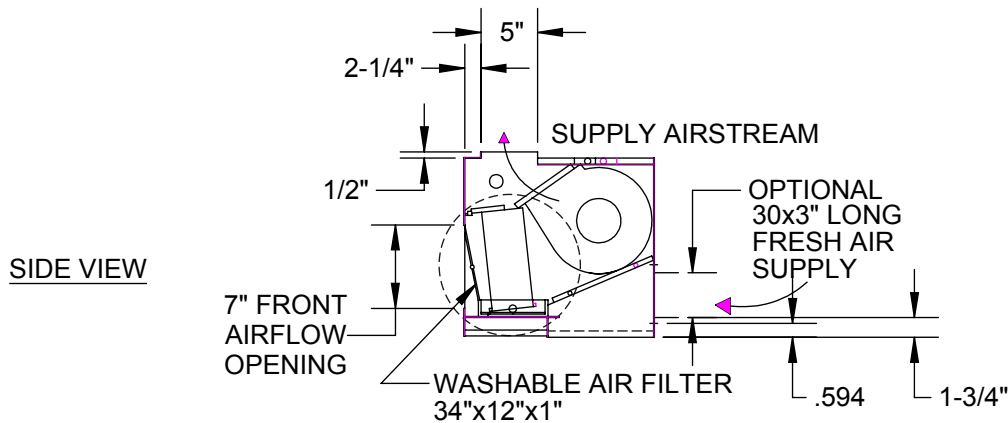
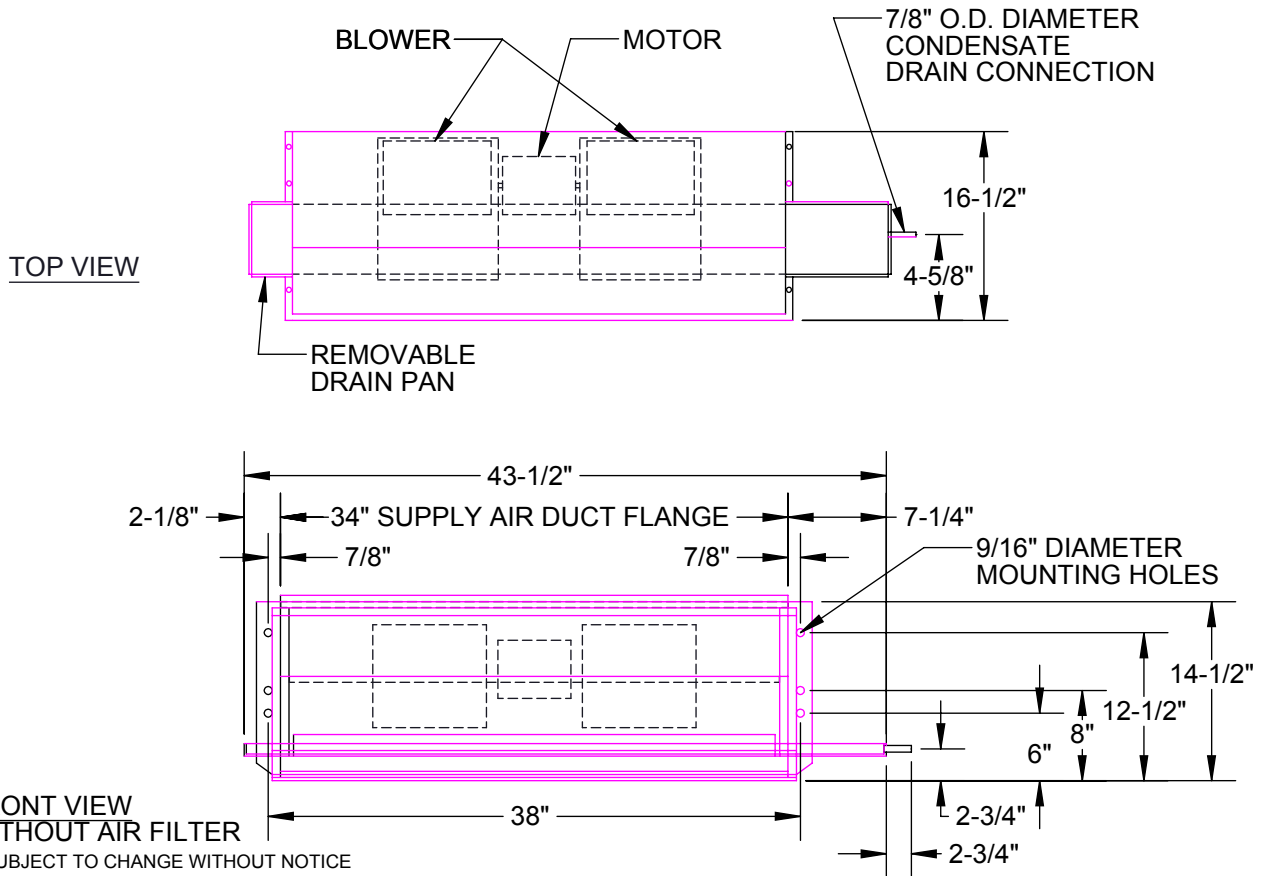


RIGHT-HAND UNIT SHOWN, LEFT-HAND UNIT OPPOSITE
 COIL CONNECTIONS DETERMINED BY FACING SUPPLY AIRSTREAM.



- COIL CONNECTIONS DETERMINED BY FACING THE SUPPLY-AIR OPENING.
- ELECTRICAL JUNCTION BOX IS LOCATED ON THE SAME SIDE AS THE COIL CONNECTIONS.