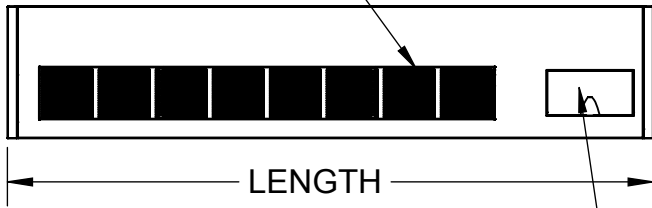


2

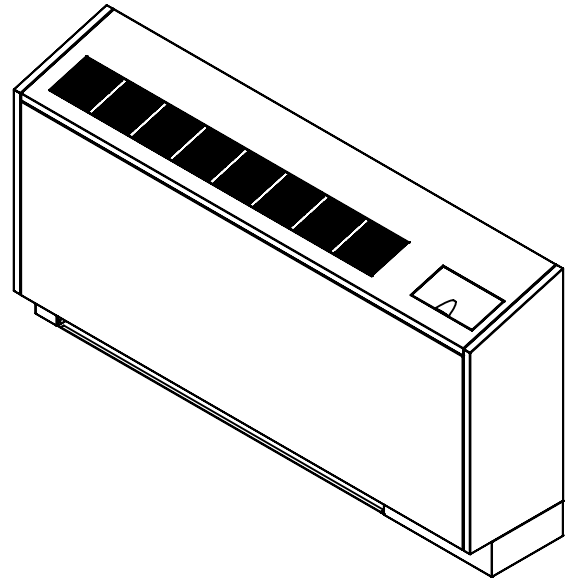
1

SUPPLY AIR GRILLE



TOP VIEW

CONTROL BOX



D

D

CONTROLS JUNCTION

DRAIN CONNECTIONS (REAR)

FILTER

FRONT VIEW

JUNCTION BOX

A

DEPTH

HEIGHT

3.70

4.50

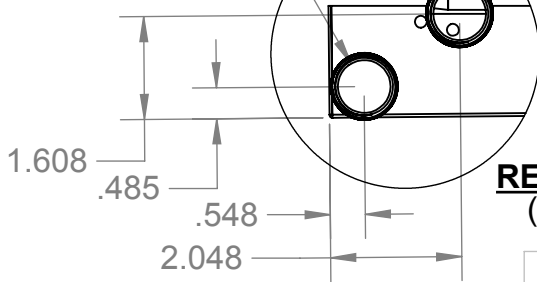
SIDE VIEW

C

C

SECONDARY DRAIN PIPE SIZE = ϕ 0.75

PRIMARY DRAIN PIPE SIZE = ϕ 0.75



REAR VIEW (DRAIN)

RIGHT HAND UNIT SHOWN

B

B

PROPRIETARY AND CONFIDENTIAL

THE INFORMATION CONTAINED IN THIS DOCUMENT IS THE SOLE PROPERTY OF THE MANUFACTURER. ANY REPRODUCTION IN PART OR AS A WHOLE WITHOUT WRITTEN PERMISSION IS PROHIBITED.

MATERIAL

()

FINISH

DO NOT SCALE DRAWING

TITLE: F1-SLOPE TOP REV B
200-1200 CFM

DWG. NO. D106071

REV A

SCALE: 1:24

SHEET 1 OF 1

OVERALL					
UNIT SIZE	LENGTH	HEIGHT	DEPTH	A	FILTER SIZE
002-003	39.25	30	11.75	9.75	10 X 20 X 1
004	50.25	30	11.75	9.75	10 X 31 X 1
006	55.25	30	11.75	9.75	10 X 36 X 1
008	53.25	34	13.75	10	11 X 34 X 1
010	61.25	34	13.75	10	11 X 42 X 1
012	67.25	34	13.75	10	11 X 48 X 1

2

1

A

A