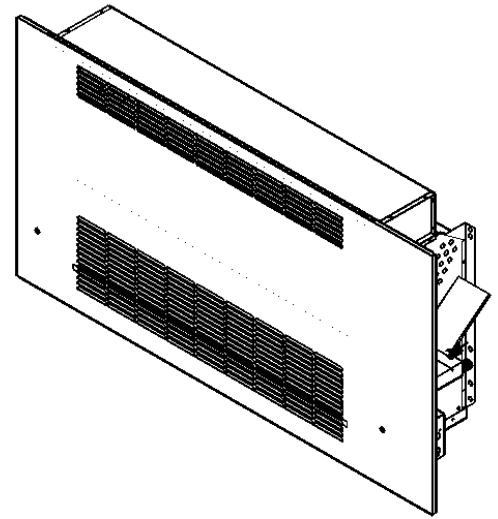
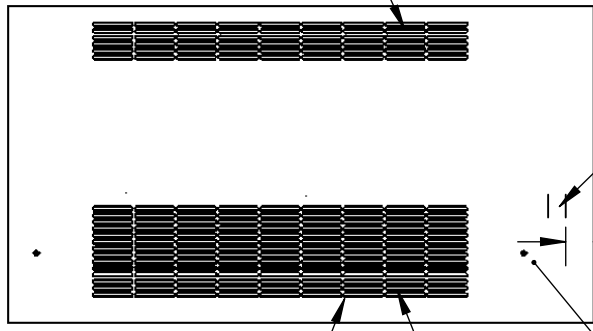


**TOP VIEW**



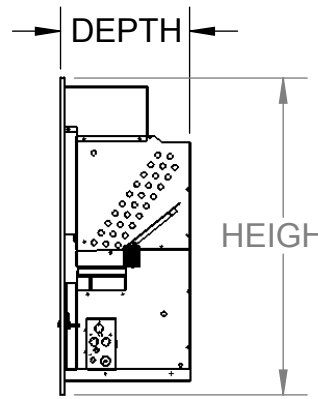
SUPPLY AIR LOUVER



**FRONT VIEW**

DRAIN CONNECTIONS (REAR)

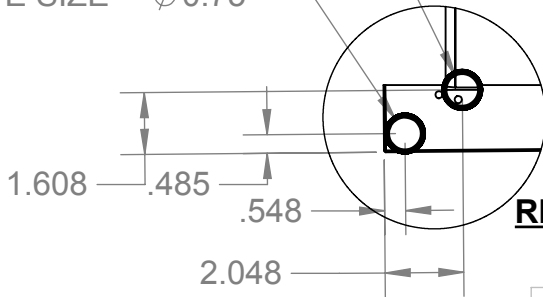
A



**SIDE VIEW**

SECONDARY DRAIN PIPE SIZE =  $\phi 0.75$

PRIMARY DRAIN PIPE SIZE =  $\phi 0.75$



**REAR VIEW (DRAIN)**

**RIGHT HAND UNIT SHOWN**

|   |  |   |                 |
|---|--|---|-----------------|
| <b>PROPRIETARY AND CONFIDENTIAL</b>   |  |   |                 |
| THE INFORMATION CONTAINED IN THIS DOCUMENT IS THE SOLE PROPERTY OF THE MANUFACTURER. ANY REPRODUCTION IN PART OR AS A WHOLE WITHOUT WRITTEN PERMISSION IS PROHIBITED. |  |   |                 |
| <b>MATERIAL</b> ( )   |  | <b>TITLE:</b> F1 - RECESSED REV B<br>200-1200 CFM |                 |
| <b>FINISH</b>   |  | <b>DWG. NO.</b><br>D110423                        | <b>REV</b><br>A |
| DO NOT SCALE DRAWING  |  | SCALE: 1:24                                       | SHEET 1 OF 1    |

| <b>OVERALL</b> |        |        |        |       |             |
|----------------|--------|--------|--------|-------|-------------|
| UNIT SIZE      | LENGTH | HEIGHT | DEPTH  | A     | FILTER SIZE |
| 002-003        | 30     | 30     | 11.625 | 0.875 | 10 X 20 X 1 |
| 004            | 42     | 30     | 11.625 | 1.425 | 10 X 32 X 1 |
| 006            | 47     | 30     | 11.625 | 1.375 | 10 X 36 X 1 |
| 008            | 47     | 33     | 13.345 | 2.75  | 11 X 34 X 1 |
| 010            | 55     | 33     | 13.345 | 2.938 | 11 X 42 X 1 |
| 012            | 61     | 33     | 13.345 | 2.75  | 11 X 48 X 1 |