

REHEAT HYDRONIC  
RIGHT HAND SHOWN

MODEL BASIC	A	B	C	D	E	F	G	FILTER SIZE
200	23	22	10	18	6	20	6	10 X 20 X 1
300	23	22	10	18	6	20	6	10 X 20 X 1
400	34	22	10	18	4	31	6	10 X 31 X 1
600	39	22	10	18	4	36	6	10 X 36 X 1
800	37	25	12	22	7	34	6	11 X 34 X 1
1000	45	25	12	22	7	42	6	11 X 42 X 1
1200	51	25	12	22	7	48	6	11 X 48 X 1

PROPRIETARY  
AND  
CONFIDENTIAL

THE INFORMATION CONTAINED  
IN THIS DOCUMENT IS THE SOLE  
PROPERTY OF WILLIAMS FURNACE  
COMPANY. ANY REPRODUCTION  
IN PART OR AS A WHOLE WITHOUT  
THE WRITTEN PERMISSION OF  
WILLIAMS FURNACE COMPANY IS  
PROHIBITED.

TITLE: F1- BASIC  
200-1200 CFM

DWG. NO. D104028

REV  
B

DO NOT SCALE DRAWING

SCALE: 1:16

SHEET 1 OF 2

D

D

C

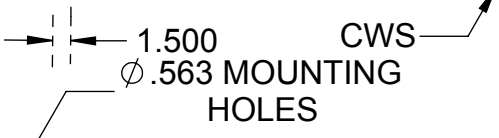
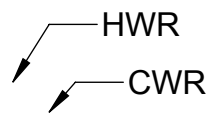
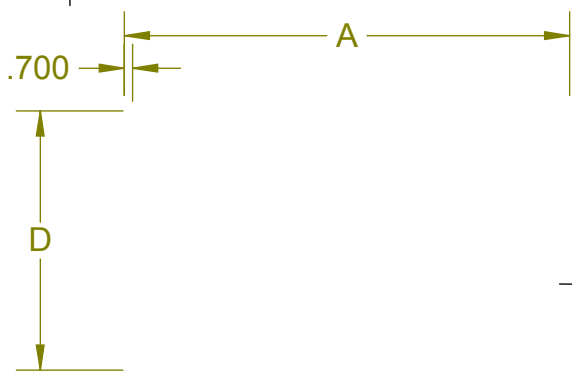
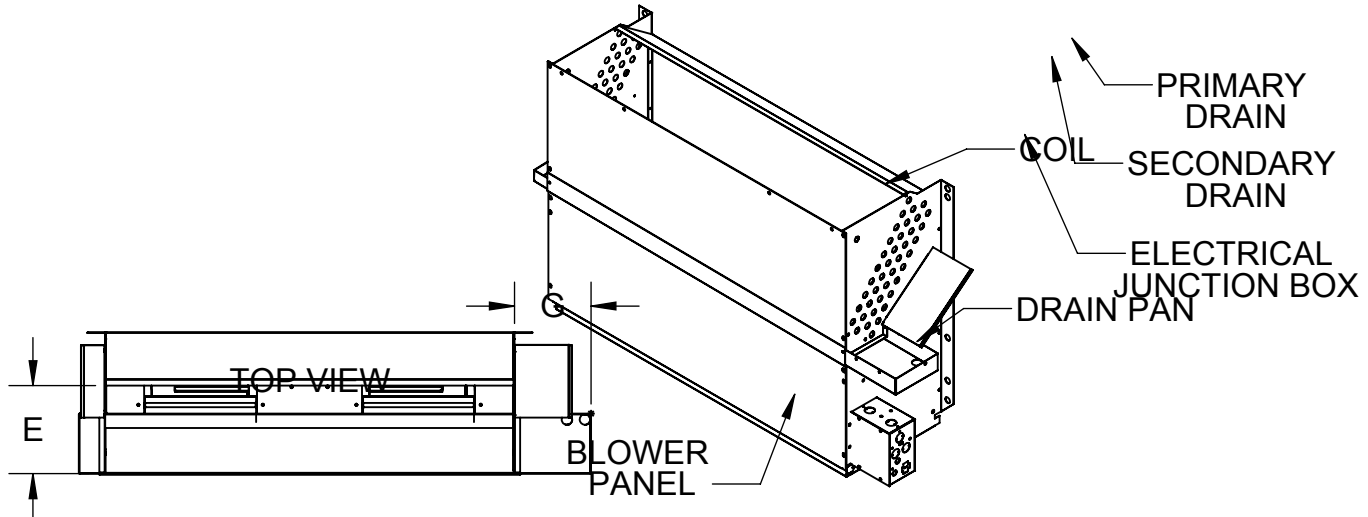
C

B

B

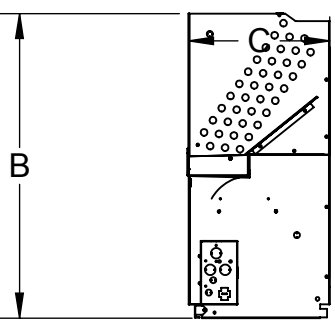
A

A



FRONT VIEW

400	34	22	10	18	4	31	6	10 X	31 X	1
600	39	22	10	18	4	36	6	10 X	36 X	1
800	37	25	12	22	7	34	6	11 X	34 X	1
1000	45	25	12	22	7	42	6	11 X	38 X	1
1200	51	25	12	22	7	48	6	11 X	42 X	1



RIGHT VIEW  
REHEAT HYDRONIC  
RIGHT HAND SHOWN

**PROPRIETARY AND CONFIDENTIAL**  
THE INFORMATION CONTAINED IN THIS DOCUMENT IS THE SOLE PROPERTY OF WILLIAMS FURNACE COMPANY. ANY REPRODUCTION IN PART OR AS A WHOLE WITHOUT THE WRITTEN PERMISSION OF WILLIAMS FURNACE COMPANY IS PROHIBITED.

**DRAWING NOT TO SCALE**

**TITLE:**  
F1 BASIC  
200-1200 CFM

**DWG. NO.**  
D104028

**REV**  
B